

The Blake Integral Faucet Deck

GENERAL SPECIFICATIONS
Material - SculptureStone®



Standard Colors: White (CWH) , Biscuit (CBI) **No Charge**
Exterior Color See chart

Must specify color code:

Sapphire Blue (**SB**), Blue Lagoon, (**BL**), Terracotta (**TC**),
Onyx (**OX**), Nightfall (**NF**), Stratus Gray (**TG**), Stormgray, (**SG**),
Moonstone (**MS**)

See the colors at: mtibaths.com

* Must be ordered with the tub to receive listed price.

- Custom-made to complement The Blake, MTI freestanding tub model #240.
- Accomodates deck-mountable Roman tub faucetry.
- Back is straight, to mount flush against the wall.
- Front is angled, to form fit against the rear contours of the The Blake.

Size/Description	Finish	Part #	MSRP
Top: 32" w x 4¼" d x 20" h Bottom: 32 w" x 8" d	Matte	SSPTX1MT	\$1,050*
	Gloss	SSPTX1GL	\$1,515*
	Exterior Color in Gloss	SSPTX1COLG	\$1,515*
	Exterior Color in Matte	SSPTX1COLM	\$1,515*

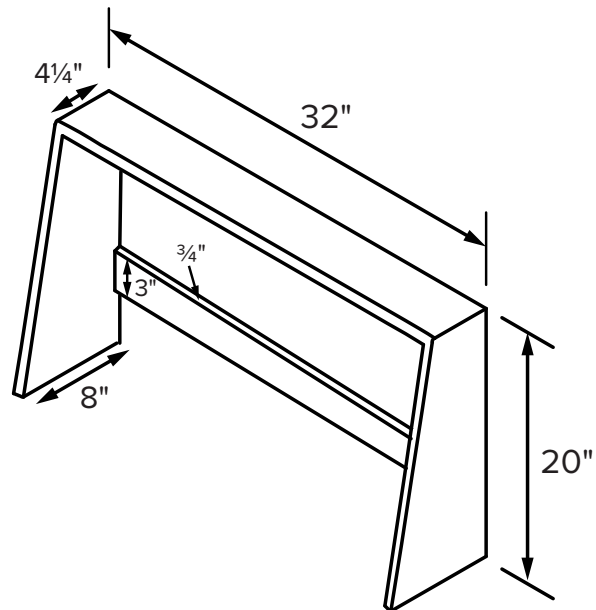
Color Options: White (CWH) or Biscuit (CBIN)

For best color match, order with MTI Collection Tub

**Packaging / Handling
Fee Applies**



Side view



CONSTRUCTION AND FEATURES

- Constructed of MTI's SculptureStone® material.
- Compatible with The Blake, tub model #240. Designed to install behind the tub. Secure to floor and wall using clear silicone, or secure to the wall through the rear brace of the unit. Fasteners not included.
- Accommodates deck-mount Roman tub faucetry, eliminating the need for a freestanding tub filler or nearby wall for installation of wall-mountable valve set.
- Up to 5 holes drilled with no additional charge. Must specify at the time of order.
- Available in white and biscuit. Color and finish match when ordered with The Blake tub model unless color is specified otherwise on order.
- Custom Integral Deck available for other MTI Collection tub models. Contact MTI Baths for quote.
- Handcrafted in the USA.