

Premium Component Stand

GENERAL SPECIFICATIONS

Material - SculptureStone®



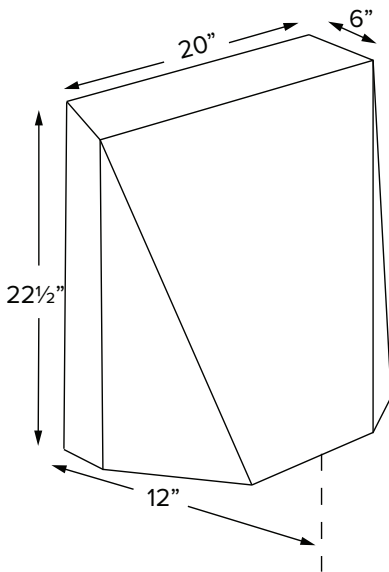
MTI'S handcrafted Premium Component Stand houses and conceals tub valves and supply lines, negating the need for a freestanding tub filler or nearby wall for faucetry. Up to 4 holes may be drilled to accommodate most Roman tub valve sets. Stand also is robust enough to house and conceal the blower motor, when ordered with an airbath.



Front view



Rear view with vented access panel



Height	Size	Finish	Part #	MSRP
22.5"	Top: 20" w x 6" d x 22½" h	Matte	SSPX1MT	\$2,165
		Gloss	SSPX1GL	2,855

Color Options: White (CWH) or Biscuit (CBIN)

For best color match, order with MTI Collection Tub

Packaging / Handling Fee Applies

NOTE: See Construction & Features below for a list of tub models most compatible with this product. Always check tub height before ordering.

CONSTRUCTION AND FEATURES

- Constructed of MTI's SculptureStone® material.
- Comes color matched with tub unless otherwise specified.
- Best fit with the following soaking bath tub models: 217, 220, 230, 231, 235, 242, 243A, 243B, 244A, 244B, 248A, 249A, 253.
- Best fit with the following airbath tub models: 189, 200, 217, 220, 230, 231, 242, 243B, 244B, 253.
- Up to 4 holes drilled with no additional charge. Must specify at time of order.
- Integrated access panel to facilitate installation of hardware. Open on the bottom for water supply lines and air line rough-in for airbaths.
- Accommodates deck-mount Roman tub faucetry, eliminating the need for a freestanding tub filler or nearby wall for installation of wall-mountable valve set.
- Houses both the blower and remote check valve that come standard with all MTI Collection freestanding airbaths.
- Handcrafted in the USA.

MTI's Customer Service Department is available
Monday-Friday 8am-6pm EST
800-783-8827 or service@mtibaths.com

